
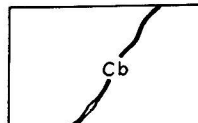
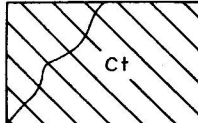
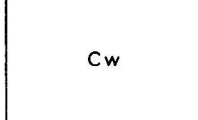
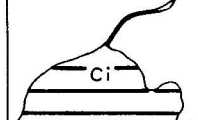
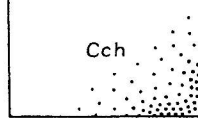
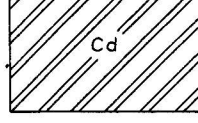
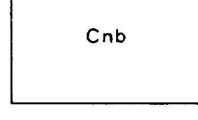
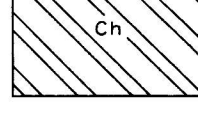
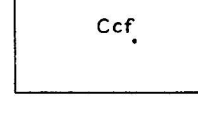
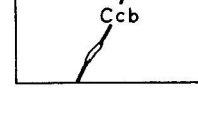
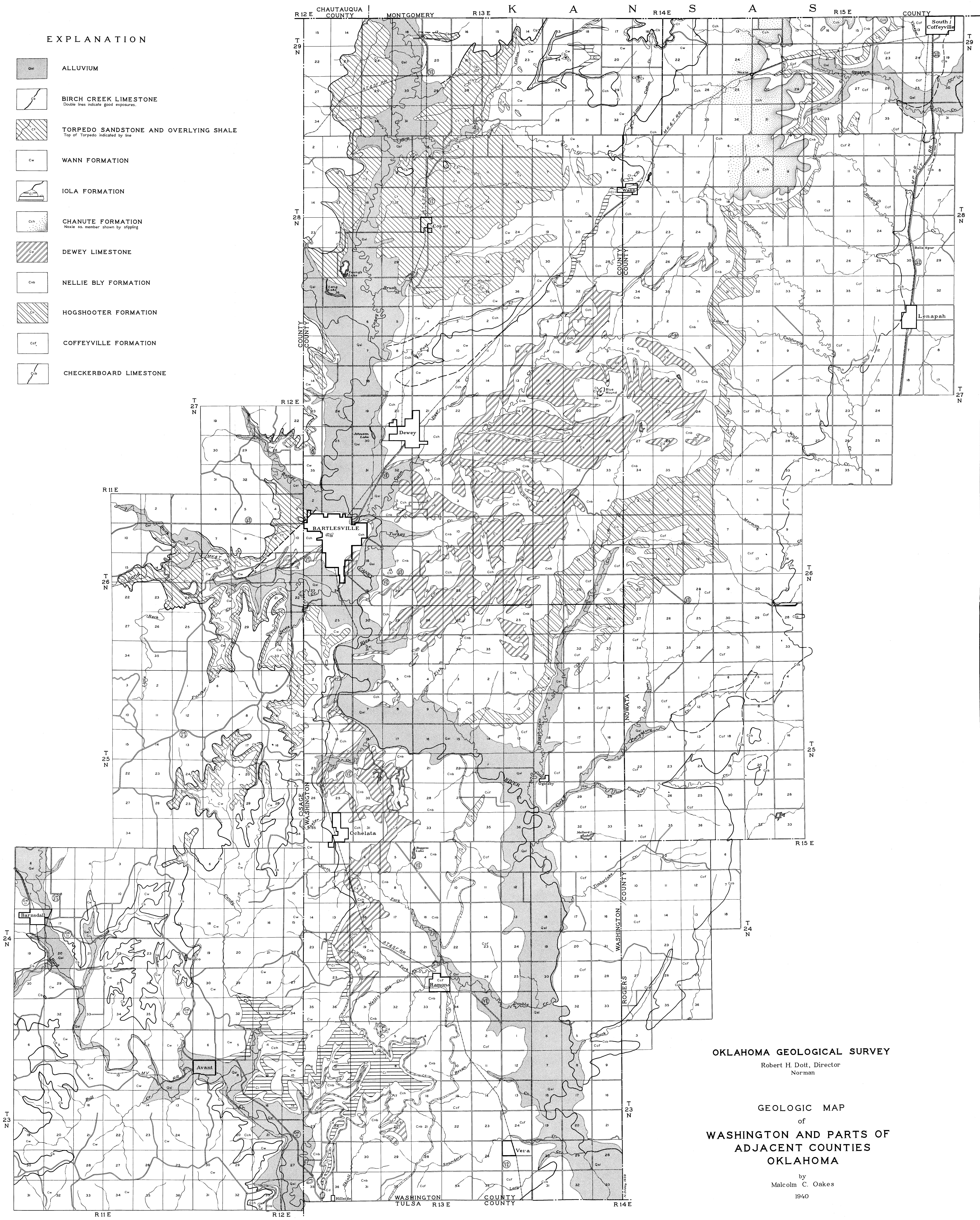


EXPLANATION

-  ALLUVIUM
-  BIRCH CREEK LIMESTONE
Double lines indicate good exposures.
-  TORPEDO SANDSTONE AND OVERLYING SHALE
Top of Torpedo indicated by line
-  WANN FORMATION
-  IOLA FORMATION
-  CHANUTE FORMATION
Noise as member shown by stippling
-  DEWEY LIMESTONE
-  NELLIE BLY FORMATION
-  HOGSHOOTER FORMATION
-  COFFEYVILLE FORMATION
-  CHECKERBOARD LIMESTONE



OKLAHOMA GEOLOGICAL SURVEY
 Robert H. Dott, Director
 Norman

GEOLOGIC MAP
 of
 WASHINGTON AND PARTS OF
 ADJACENT COUNTIES
 OKLAHOMA

by
 Malcolm C. Oakes
 1940